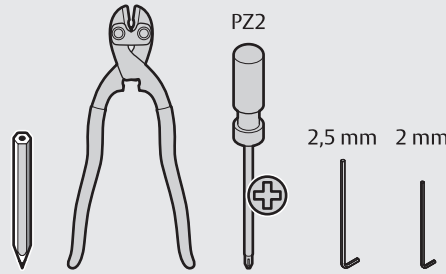


Hereby, ASSA OEM AB declares that the radio equipment type H100 is in compliance with Directive 2014/53/EU. The full text of the EU declaration of conformity is available at the following internet address: www.assaabloy.com/aperio/h100-Doc



Montageanleitung
 Mounting Instructions
 Notice de Montage
 Montageaanwijzing
 Instrucciones de Montaje

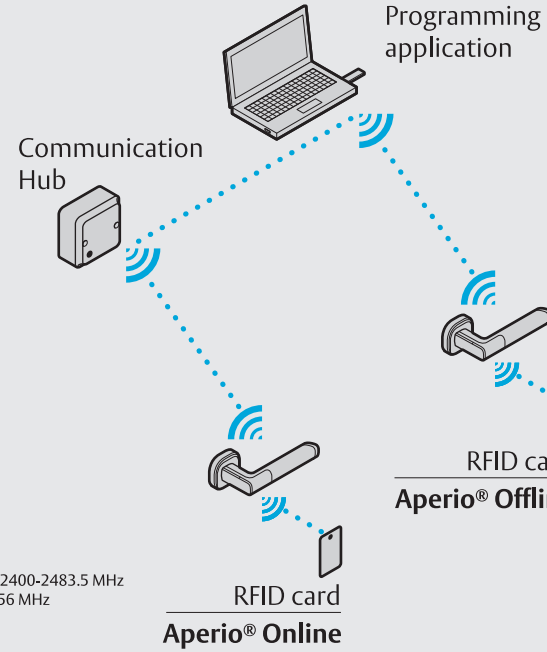
ASSA ABLOY

The global leader in door opening solutions

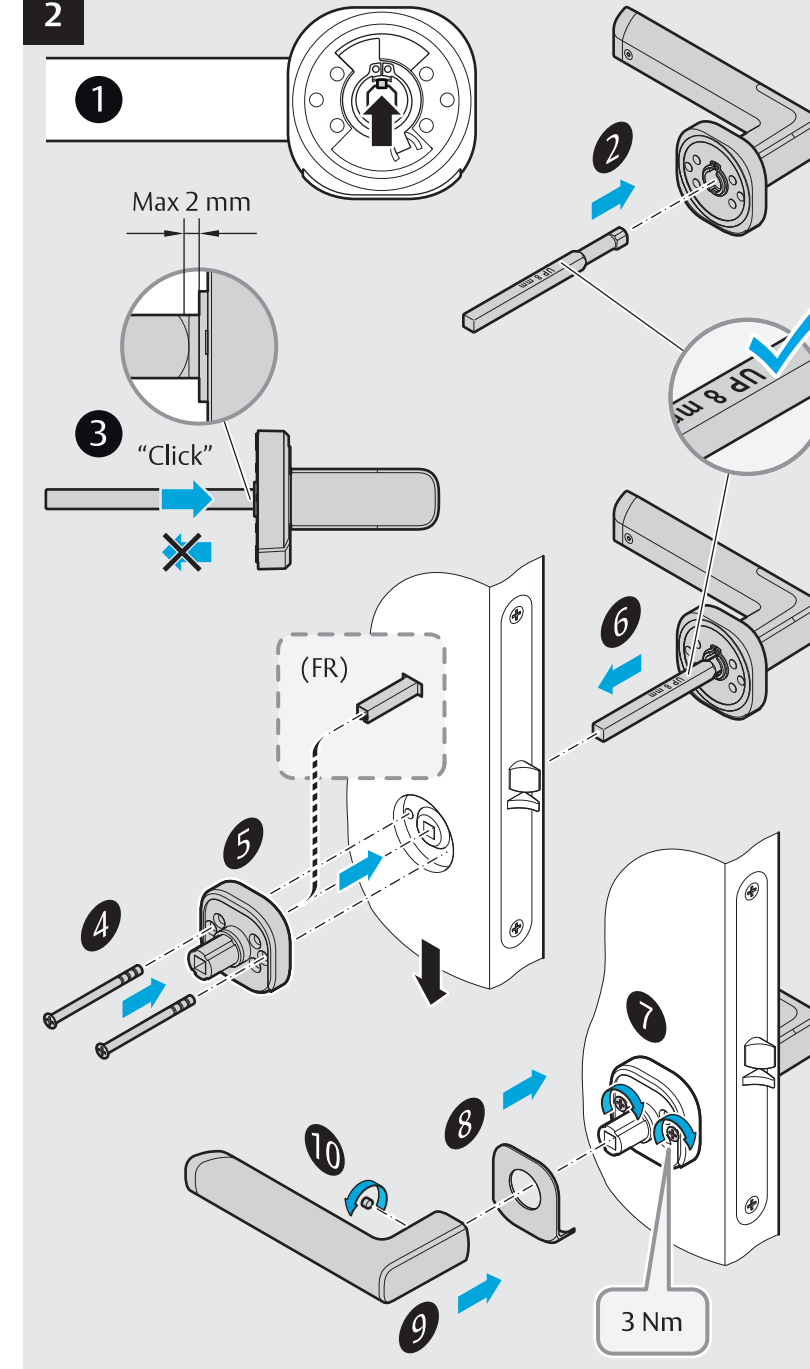
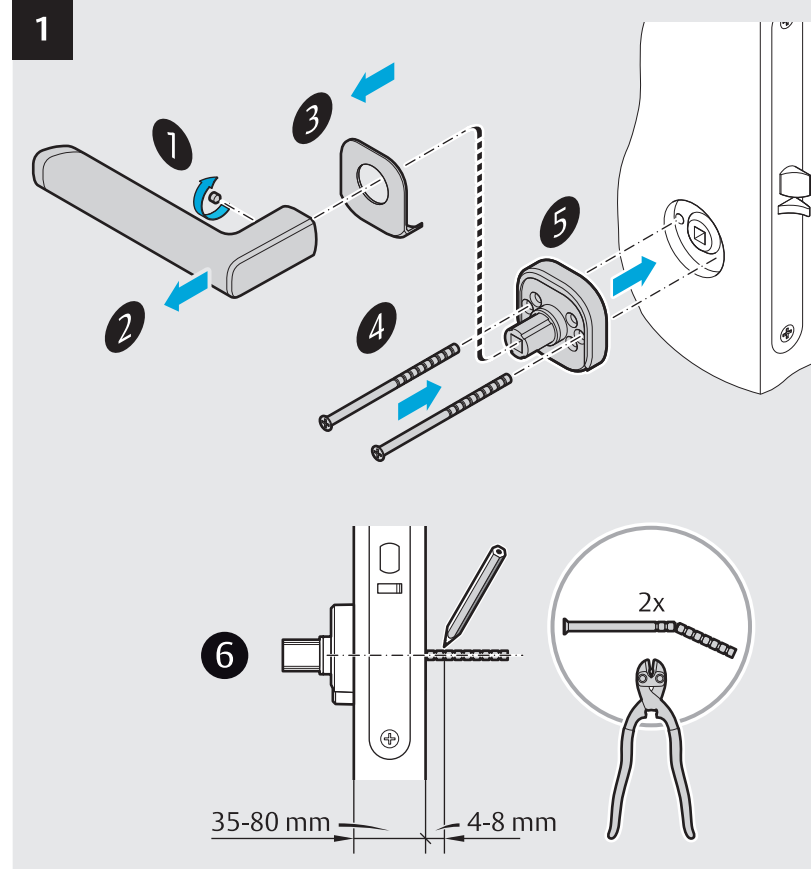
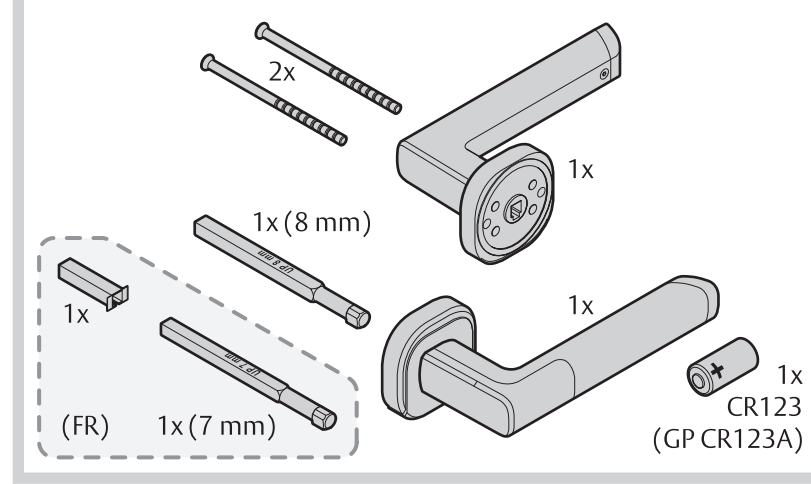
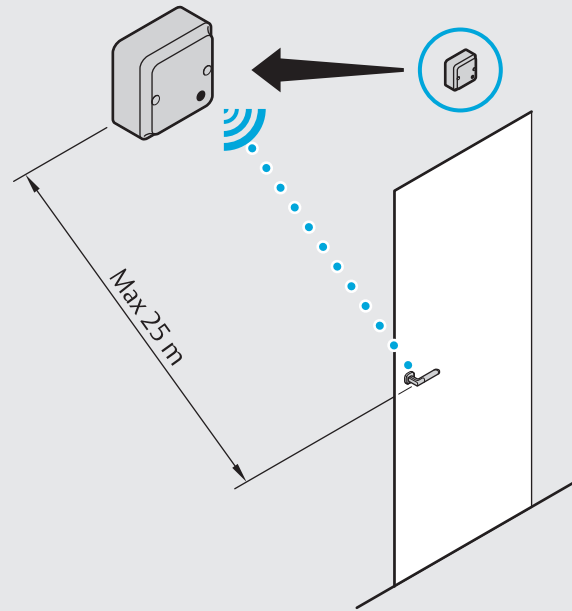
H100 (EUR)



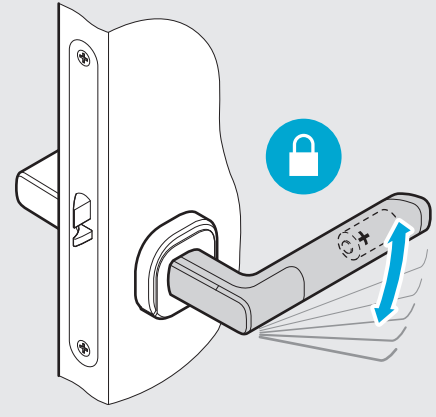
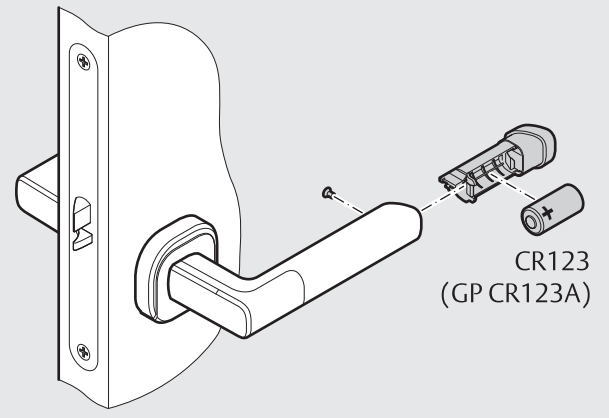
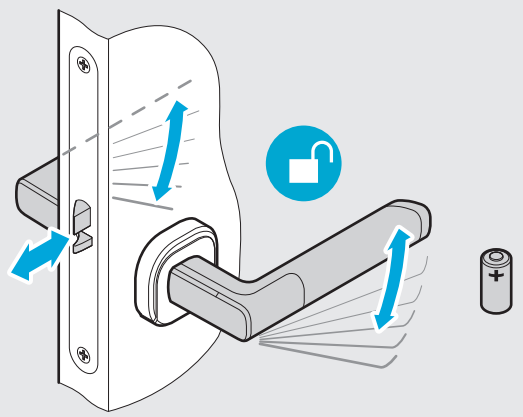
Communication Hub



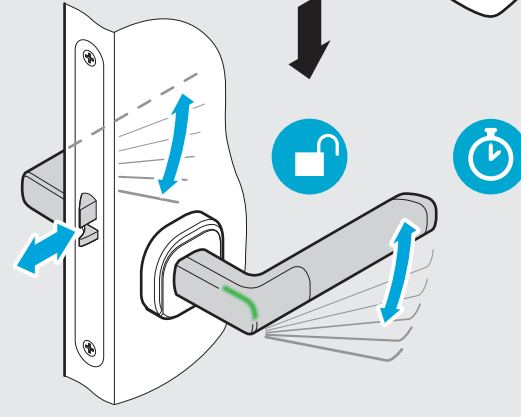
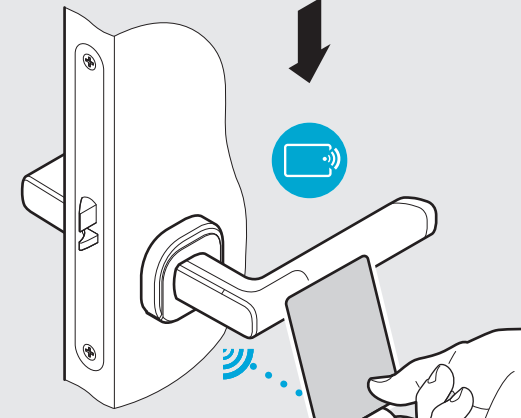
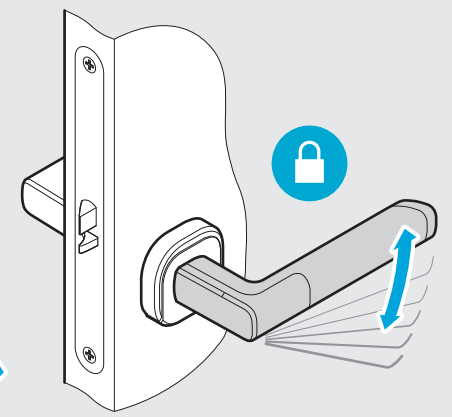
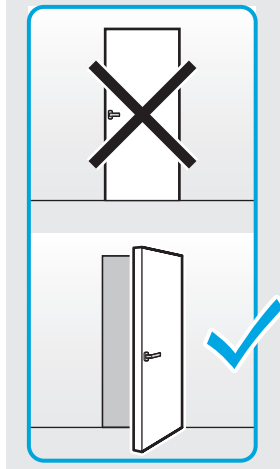
Operating temp. 0-55 °C
 Maximum emitted power:
 - 3,1 mW in frequency range 2400-2483.5 MHz
 - 10,25 mW at frequency 13.56 MHz



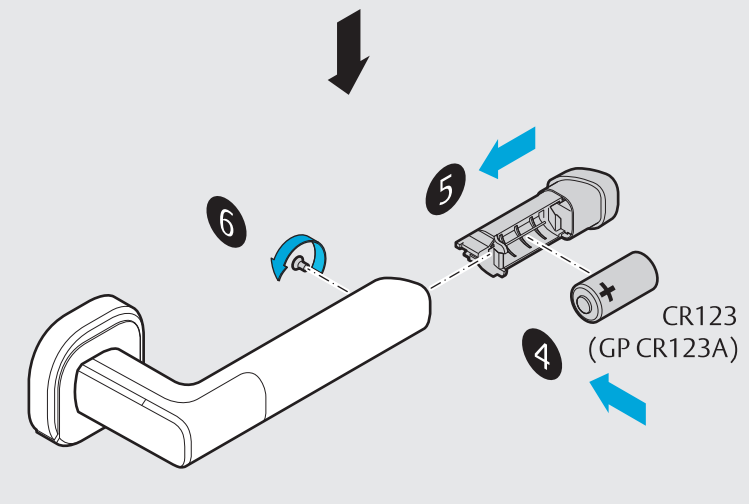
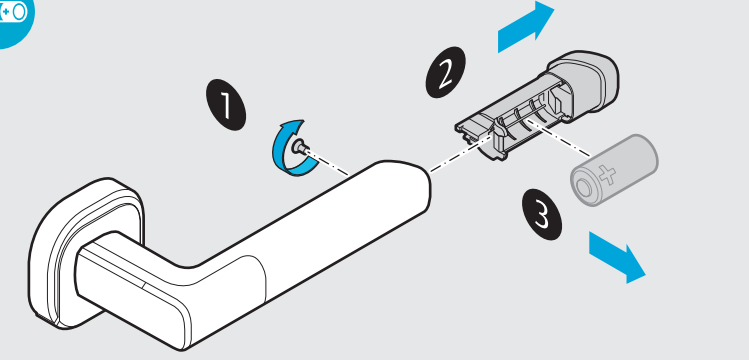
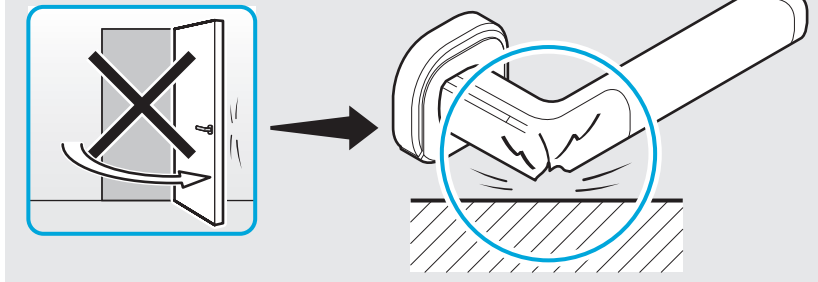
3



4



!



(+)

Accessories/Extras

